

Technical Bulletin

Model
911C4

Group
1

Subject: Camshaft Housing Cover
Reinforcement

Part Identifier
1582

Number
9007

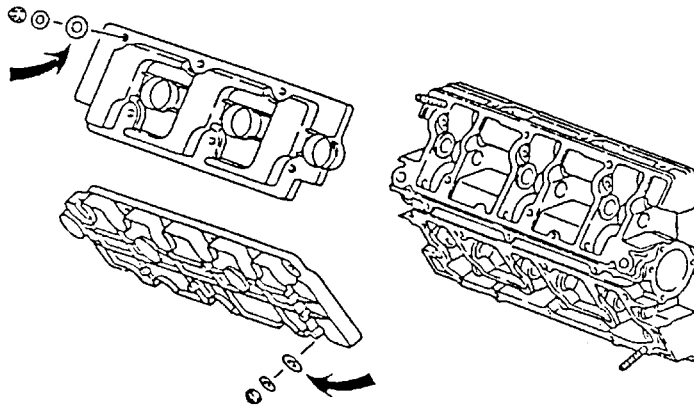
ATTENTION: Service Manager/Service Technician

Models Affected: 911 Carrera 4, Model Year 1989 (K)

Concern: Camshaft housing covers (upper and lower) without reinforcement in the area of the mounting stud holes were installed in production from engine number 62K00149 through 62K00399.

Service Information: An additional aluminum washer (arrows in figure) is installed on each cover mounting stud. The washers **must** be reinstalled when working on these covers to prevent oil leaks. Washers, Part Number PNA 025 193 30, can be ordered from the Parts Department. Do not substitute any other washer. If a cam cover needs to be replaced, only the new reinforced version will be available.

Tightening torque camshaft housing cover to camshaft housing — 9.7Nm (7 ft. lb.).



Dealership
Distribution
Routing

Service manager _____ Shop foreman _____ Service technician _____
Asst. manager _____ Warranty admin. _____ Service technician _____

©1990 Porsche Cars
North America, Inc.
All Rights Reserved
Technical Support
Department



SERVICE

Page 1 of 1
April 6, 1990

PORSCHEN CAR NORTHERN AMERICA INC - 02